

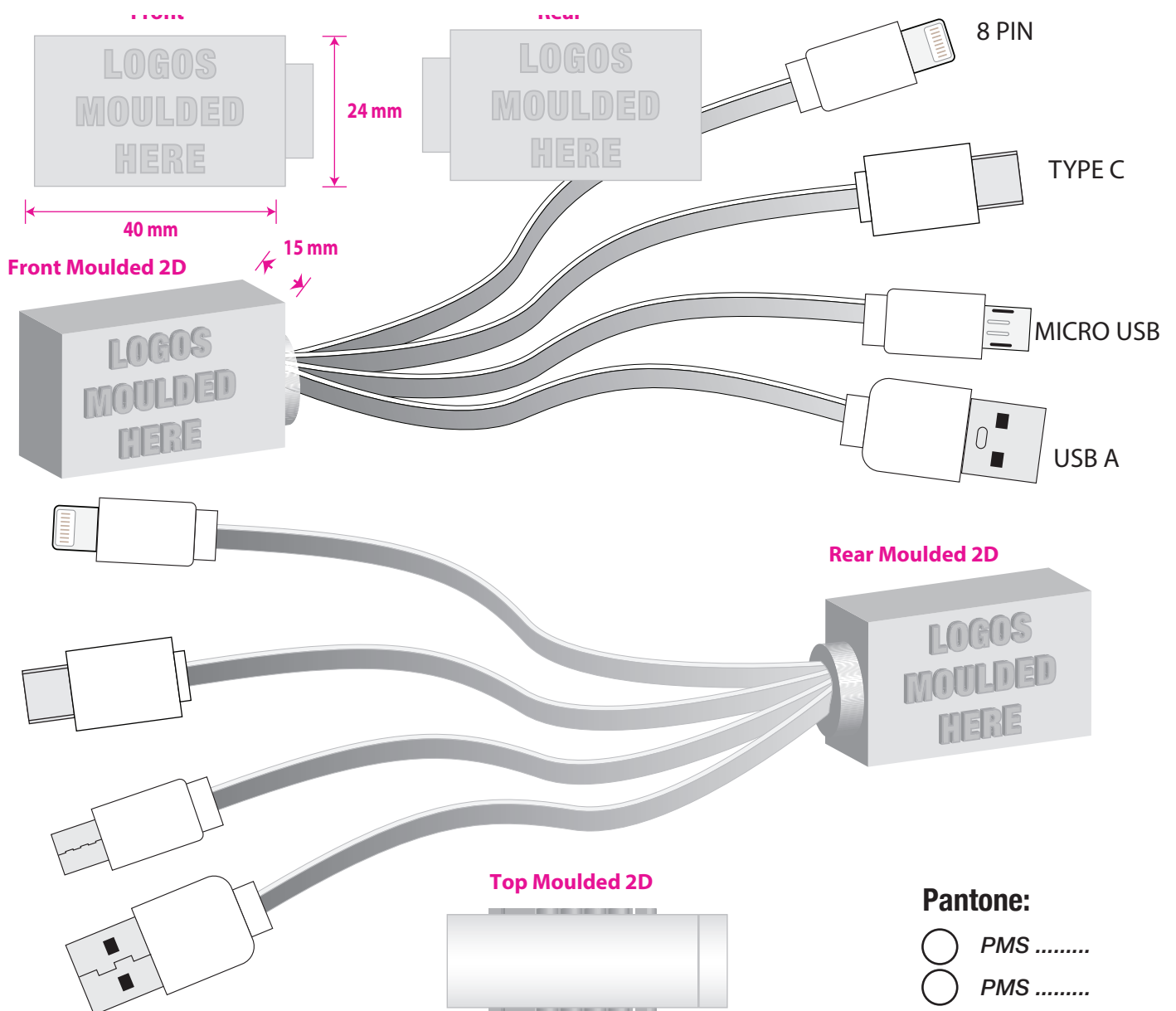
**MB5097SP**

**Custom Moulded Charge Cable**

**Branding Options:** Moulded, Pad Print

**Product Size:** 135 x 40 x 40 mm

**Colour:** Product Colour: Fully Customised



Please follow these artwork guidelines • Use and supply vector-based artwork • Illustrator compatible EPS or PDF with all fonts outlined • Indicate any necessary colour details with the correct PMS colour • All Pantone colours need to be supplied as Pantone Coated (PMS C) colours • All specifics need to be "embedded" in the file, i.e. no linked artwork should be provided • Bleed is crucial when printing edge to edge. Artwork must extend beyond the finished and trim size dimensions.