

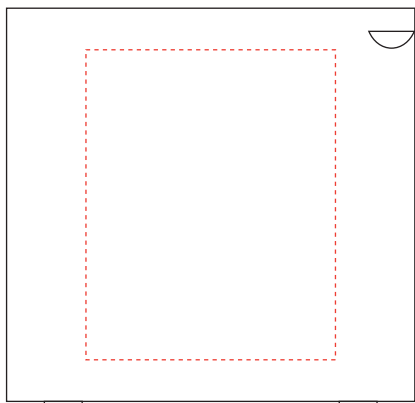
**CM5160**

**Square Sound**

**Branding Options:** Pad Print, 4CP Digital Print

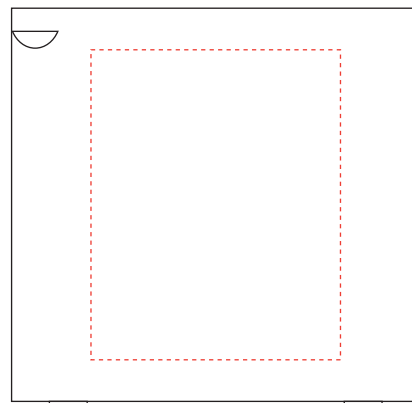
**Product Size:** 55 x 55 x 52 mm

**Colour:** Product Colour: Black, Blue 2935, Green 369, Orange 021, Red 032, White, Yellow 109. PMS col match grill & body MOQ 1000



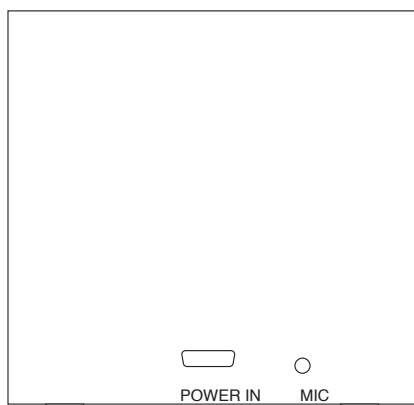
**Front**

Branding : 33 x 41 mm (w x h)  
4CP Digital Print  
Pad Print



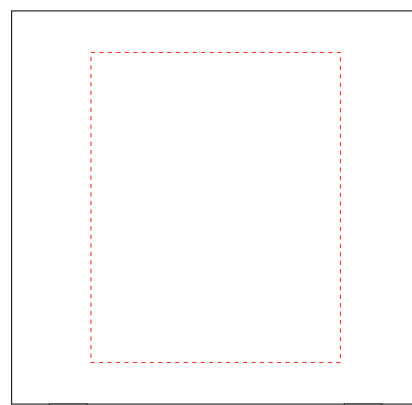
**Right Side**

Branding : 33 x 41 mm (w x h)  
4CP Digital Print  
Pad Print



**Rear**

Branding : NONE



**Left Side**

Branding : 33 x 41 mm (w x h)  
4CP Digital Print  
Pad Print

Please follow these artwork guidelines • Use and supply vector-based artwork • Illustrator compatible EPS or PDF with all fonts outlined • Indicate any necessary colour details with the correct PMS colour • All Pantone colours need to be supplied as Pantone Coated (PMS C) colours • All specifics need to be "embedded" in the file, i.e. no linked artwork should be provided • Bleed is crucial when printing edge to edge. Artwork must extend beyond the finished and trim size dimensions.