

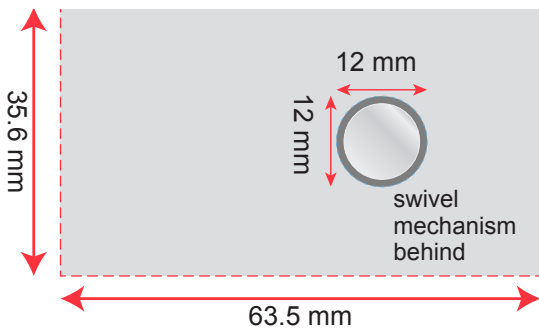
**AR725J**

**Webcam Cover Custom Shape**

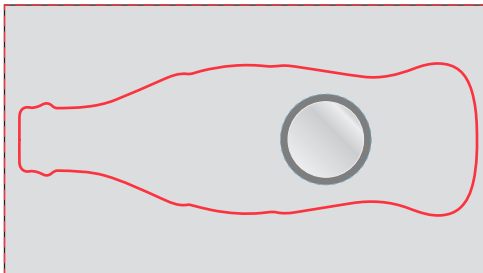
**Branding Options:** 4CP Digital Print

**Product Size:** 63.5 X 35.6 x 1 mm (max size)

**Colour:** Product Colour: Black



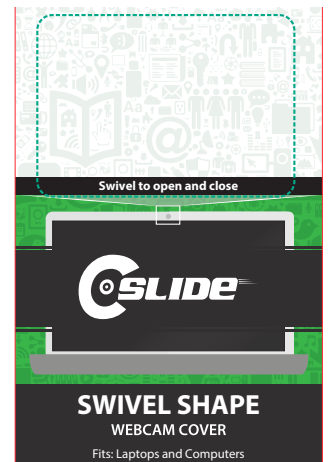
The 63.5 x 35.6 mm Webcam blank has a swivel mechanism 12 x 12 mm located on the rear



Shape Must fit within blank 63.5 mm x 35.6 mm and fully contain the swivel mechanism footprint



Shape is laser-cut from blank and can be full bleed



**Front**  
 Standard 4CP Card 40%  
 101.6mm x 152.4mm



**Rear**

---- Product Position  
 (green line non-printing)  
 — Trim Line  
 (red line non-printing)

Please follow these artwork guidelines • Use and supply vector-based artwork • Illustrator compatible EPS or PDF with all fonts outlined • Indicate any necessary colour details with the correct PMS colour • All Pantone colours need to be supplied as Pantone Coated (PMS C) colours • All specifics need to be "embedded" in the file, i.e. no linked artwork should be provided • Bleed is crucial when printing edge to edge. Artwork must extend beyond the finished and trim size dimensions.

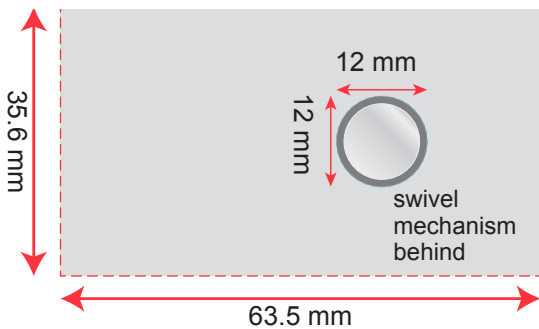
**AR725J**

**Webcam Cover Custom Shape**

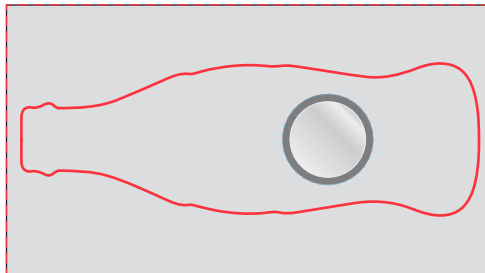
**Branding Options:** 4CP Digital Print

**Product Size:** 63.5 X 35.6 x 1 mm (max size)

**Colour:** Product Colour: Black



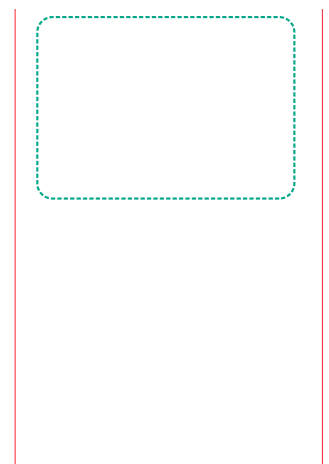
The 63.5 x 35.6 mm Webcam blank has a swivel mechanism 12 x 12 mm located on the rear



Shape Must fit within blank 63.5 mm x 35.6 mm and fully contain the swivel mechanism footprint



Shape is laser-cut from blank and can be full bleed



**Front**  
**Standard 4CP Card 40%**  
**101.6mm x 152.4mm**



**Product Features:**

- ▶ **Super Thin:** 0.8mm thick
- ▶ **Secure:** goes where you go and will not fall off whether the device is open or closed
- ▶ **Durable:** made from high-grade plastic
- ▶ **Won't Scratch:** designed to open and close without harming the camera lens

**Installation:**

- 1 Remove adhesive tab from magnet
- 2 Place magnet next to camera lens and press firmly
- 3 Place swivel shape on magnet
- 4 Swivel to open and close



**Rear**

----- Product Position (green line non-printing)  
 \_\_\_\_\_ Trim Line (red line non-printing)

Please follow these artwork guidelines • Use and supply vector-based artwork • Illustrator compatible EPS or PDF with all fonts outlined • Indicate any necessary colour details with the correct PMS colour • All Pantone colours need to be supplied as Pantone Coated (PMS C) colours • All specifics need to be "embedded" in the file, i.e. no linked artwork should be provided • Bleed is crucial when printing edge to edge. Artwork must extend beyond the finished and trim size dimensions.