

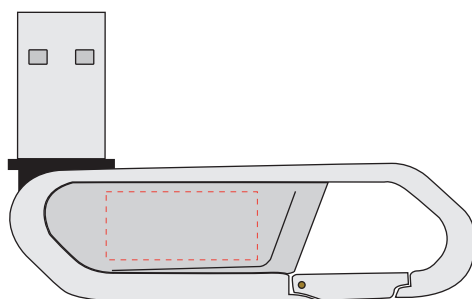
**AR284**

**Carabiner Flash Drive**

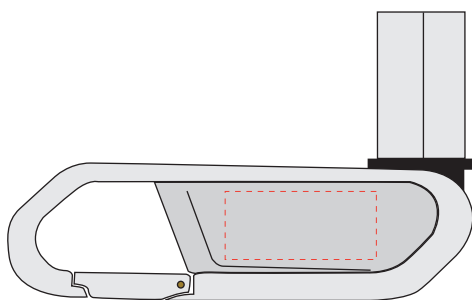
**Print Process:** Pad Print, 4CP Digital Print

**Product Size:** 65 x 17 x 9 mm

**Colours:** Product Colour: Black, Silver, White



Front  
Print Area : 20mm x 9mm  
Pad Print



Back  
Print Area : 20mm x 9mm  
Pad Print



Please follow these artwork guidelines: • Use and supply vector-based artwork • Illustrator compatible EPS or PDF with all fonts outlined • Indicate any critical colour details with the correct PMS colour • All Pantone colours need to be supplied as Pantone Coated (PMS C) colours • All details need to be “embedded” in the file, i.e. no linked artwork should be provided • Bleed is crucial when printing edge to edge. Artwork must extend beyond the finished and trim size dimensions.